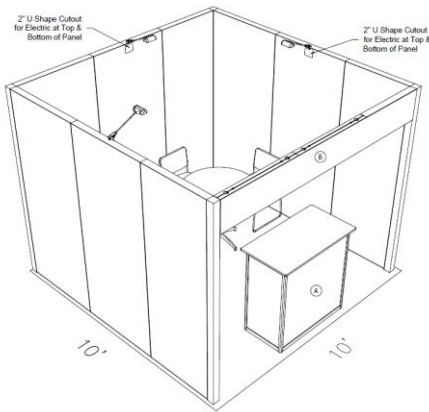


## INLINE

10'x10'



### 10X10 Shell Inline Booth package

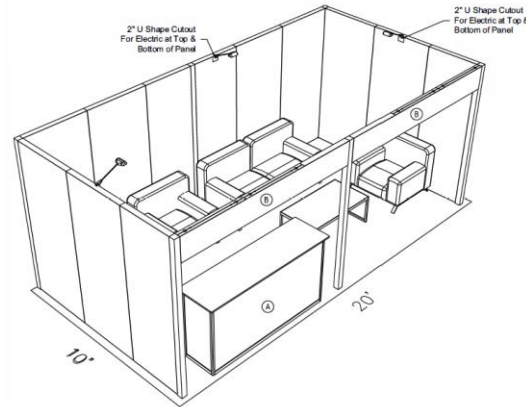
**Shell:** (3) 8'x 10' modular walls with white inlay panels within a polished aluminum frame with (1) header with exhibitor name and booth number

**Furniture package:** (1) 1Mx42"H Counter with custom graphic (exhibitor provided artwork) on front (38-1/8" x 39"); (2) Limerick chairs; (1) SOHO café table; (1) waste basket; Carpet color TBD

**Utilities Included:** (1) 500w drop in corner of booth; (3) LED arm lights

\*Any modifications to the standard package will be at exhibitor expense.

10'x20'



### Executive Suite Shell Inline Booth package

**Shell:** (1) 8'x 20' , (2) 8'x10' modular walls with white inlay panels within a polished aluminum frame with (2) header with exhibitor name and booth number

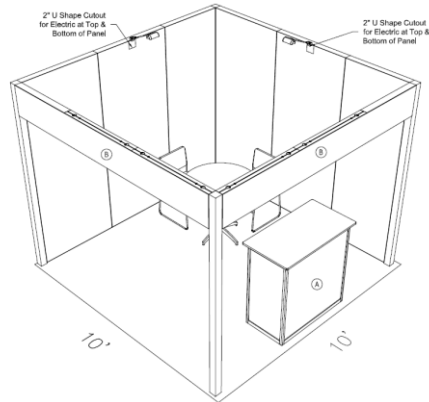
**Furniture package:** (1) 2Mx42"H Counter with custom graphic (exhibitor provided artwork) on front (77-7/16" x 39"); (2) Allegro chairs, (1) Allegro sofa, (1) coffee table; (1) waste basket; Carpet color TBD

**Utilities Included:** (1) 500w drop in corner of booth; (3) LED arm lights

\*Any modifications to the standard package will be at exhibitor expense.

## CORNER

10'x10'



### 10X10 Shell Corner Booth package

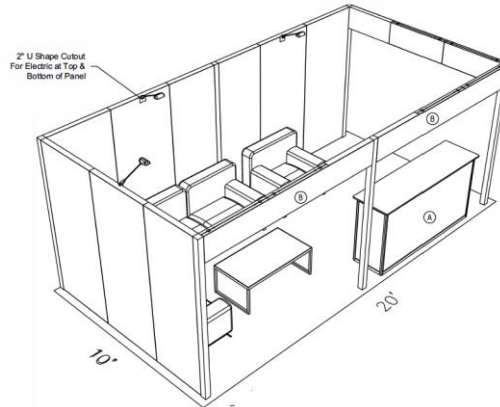
**Shell:** (2) 8'x 10' modular walls with white inlay panels within a polished aluminum frame with (2) header with exhibitor name and booth number

**Furniture package:** (1) 1Mx42"H Counter with custom graphic (exhibitor provided artwork) on front (38-1/8" x 39"); (2) Limerick chairs; (1) SOHO café table; (1) waste basket; Carpet color TBD

**Utilities Included:** (1) 500w drop in corner of booth; (3) LED arm lights

\*Any modifications to the standard package will be at exhibitor expense.

10'x20'



### Executive Suite Shell Corner Booth package

**Shell:** (1) 8'x 20' , (1) 8'x10' modular walls with white inlay panels within a polished aluminum frame with (3) header with exhibitor name and booth number

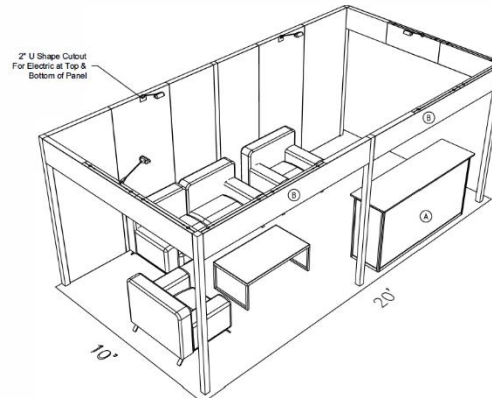
**Furniture package:** (1) 2Mx42"H Counter with custom graphic (exhibitor provided artwork) on front (77-7/16" x 39"); (2) Allegro chairs, (1) Allegro sofa, (1) coffee table; (1) waste basket; Carpet color TBD

**Utilities Included:** (1) 500w drop in corner of booth; (3) LED arm lights

\*Any modifications to the standard package will be at exhibitor expense.

## PENINSULA

10'x10'



### Executive Suite Shell Peninsula Booth package

**Shell:** (1) 8'x 20' modular wall with white inlay panels within a polished aluminum frame with (4) header with exhibitor name and booth number

**Furniture package:** (1) 2Mx42"H Counter with custom graphic (exhibitor provided artwork) on front (77-7/16" x 39"); (2) Allegro chairs, (1) Allegro sofa, (1) coffee table; (1) waste basket; Carpet color TBD

**Utilities Included:** (1) 500w drop in corner of booth; (3) LED arm lights

\*Any modifications to the standard package will be at exhibitor expense.

10'x20'